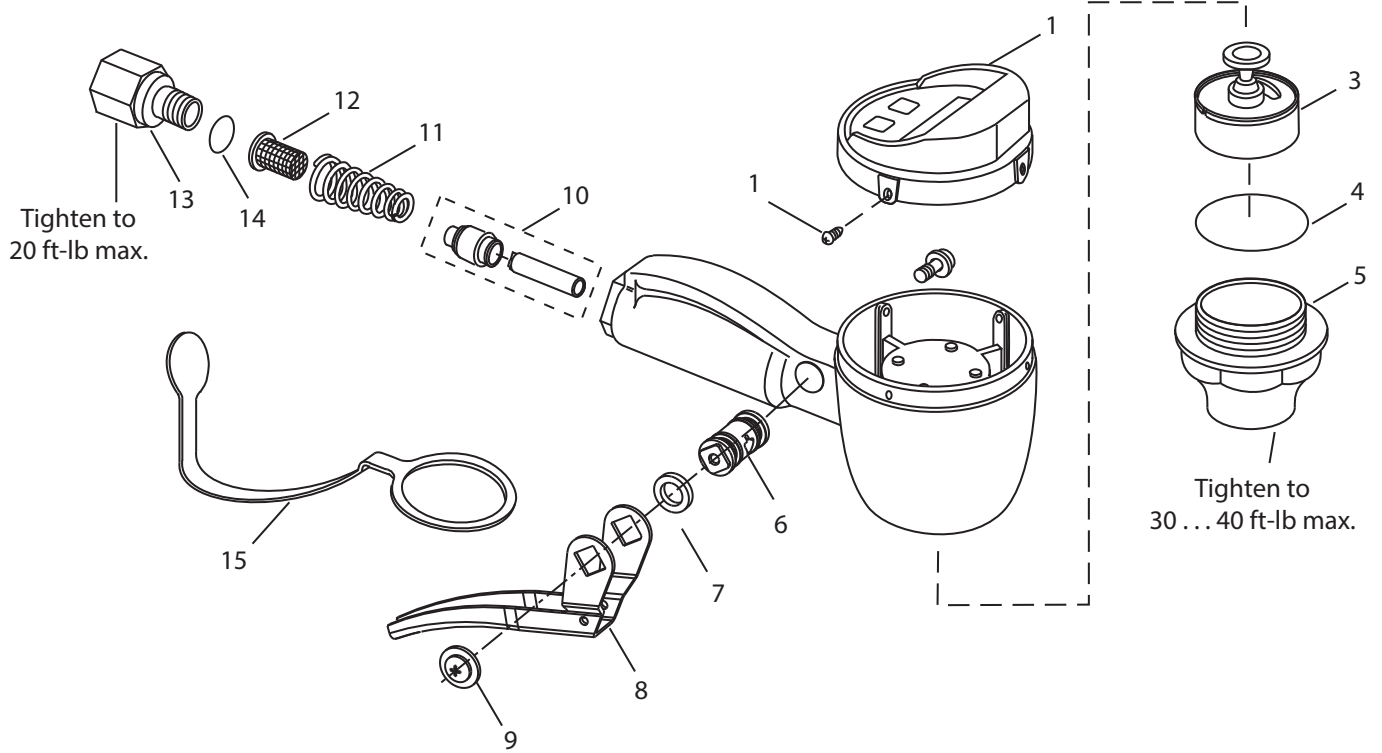




Badger Meter

Pistol Grip Series

Models PGE and PGE-BF Electronic Meters



Item	Description	Part
1	Register module w/screws	65518-013
3	Chamber & magnet assembly	59831-001
4	O-ring, Buna N	55300-223
	O-ring, Viton A	22650-028
	O-ring, EPDM	31132-065
5	Housing cap, NPT	23686-002
	Housing cap, BSP	23686-009
6	Cam, standard, electronic	13268-000
7	Quad ring, Buna N	22872-001
	Quad ring, EPDM	22872-017
	Quad ring, Viton A	22872-004
8	Trigger assembly with lock	13263-001
	Trigger assembly without lock	13259-002
9	Screw, Sems type	58959-001

Item	Description	Part
10	Valve assembly, Buna N	58618-001
	Valve assembly, Viton A	58618-002
	Valve assembly, EPDM	58618-003
11	Spring	30099-000
12	Screen	58663-001
13	Adapter less boss, NPT	59648-001
	Adapter less boss, BSP	59648-002
14	O-ring, Buna N	31132-051
	O-ring, Viton A	31132-052
	O-ring, EPDM	31132-066
15	Trigger guard	62422-001
Not Shown	Replacement Battery, 3V Lithium, 2/3 AA	66299-001
Not Shown	Viton seal upgrade kit	62701-004

Control. Manage. Optimize.

Trademarks appearing in this document are the property of their respective entities. Due to continuous research, product improvements and enhancements, Badger Meter reserves the right to change product or system specifications without notice, except to the extent an outstanding contractual obligation exists. © 2022 Badger Meter, Inc. All rights reserved.

www.badgermeter.com